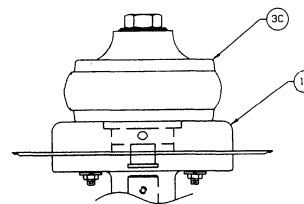
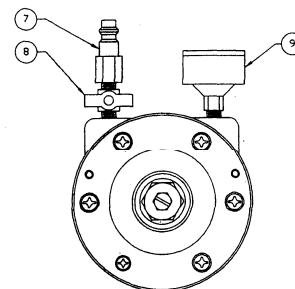
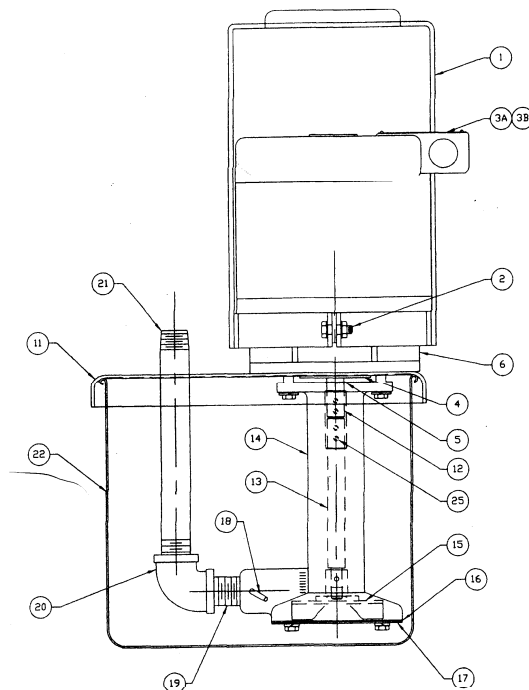


MODEL HR22T

Item	Description	Part Number
1	Handle	435-35295-23
2	Nuts / Screws	
3A	Electric Motors (Totally Enclosed)	
	1/8HP 115V / 60 Hz / 1 Ph	317-02684
	1/8HP 230V / 60 Hz / 1 Ph	317-02685
	1/8HP 230/460V / 60Hz / 3 Ph	317-02687
3B	Electric Motors (Explosion Proof)	
	1/8HP 115/230V / 60Hz / 1 Ph	317-05594
	1/8HP 280/460V / 60Hz / 3Ph	317-05593
3C	Air Motor #2 with Muffler	386-02856
4	Baffle Disc for 3A only	660-25640
5	Slinger for 3A and 3B only	744-24282
6	Vapor Diffuser for 3B only	531-21300-31
7	Quick Coupler 3C	741-05144
8	Needle Valve 3C	738-02977-41
9	Muffler only for 3C	746-06159
10	Air Motor Adaptor Casting	533-12929-31
11	Nickel-Plated Container Lid	616-12881-11
12	Coupling Cr. St. 1/2" Bore	572-11588-88
13	416 Stainless Steel Shaft, 1/2" diameter	558-21653-88
14	Teflon Coated Pump Body	503-24861-23
15	Impeller	525-14181-74
16	Gasket	744-11125
17	Volute Cover	660-11123-23
18	Agitor® Jet Nozzle	578-20882-23
19	Pipe Nipple	720-00574-23
20	Pipe Elbow	724-01117-23
21	Pipe	720-01226-23
22	Steel Plated Container	607-05086-82

Parts for 1/4HP Motor

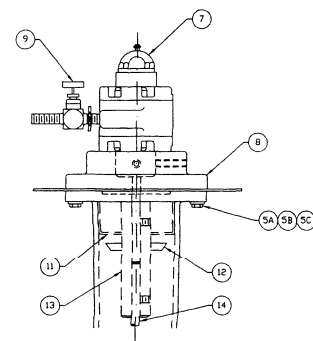
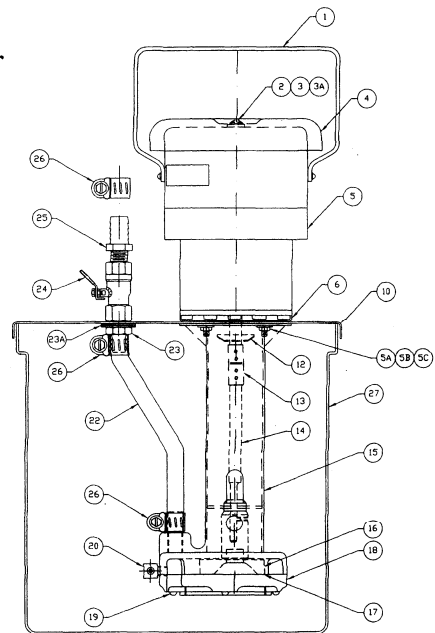
12	Coupling, 5/8" bore	573-12029-88
13	416 Stainless Steel Shaft, 5/8" diameter	558-15347-88
23	Adaptor, Motor to Pump	532-11983-23



GAM MOTOR

MODELS HV1S/HV1P AND HV2S/HV2P

Item	Description	Electric Motor	Air Motor
		Models	Models
		Part Number	Part Number
1	Motor Handle with Screws (751-02571-12)	601-12803-23	
2	Motor Cover Screw	753-02532-12	
3	Motor Cover Flat Steel Washer	754-02712-41	
3A	Motor Cover Neoprene Washer	744-03514	
4	Motor Cover	715-11722	
5	Electric Motor, includes cord, plug and switch 1/15HP, 3000/2500RPM, 115V / 60/50Hz 1/15HP, 3000/2500RPM, 230V / 60/50Hz	311-05398 310-04426	
5A	Flat Washer for Motor Screw (2)	754-04289-81	
5B	Lock Washer for Motor Screw (2)	754-04290-81	
5C	Hex Nuts for Motor Screw (2)	755-00652-81	
6	Vapor Diffuser	530-19220	
7	Air Motor with Muffler		385-02956
7A	Muffler only for Air Motor		746-06166
8	Air Motor Adaptor		533-13088-31
9	Needle Valve for Air Motor		738-02977-41
10	Container Lid (for Stainless and Poly Containers) For 1 Gallon Models (HV1S, HV1P) For 2 Gallon Models (HV2S, HV2P)	616-22787-11 420-23781-11	616-22787-11 420-23781-11
11	Splash Shield	605-18145	605-22083
12	Slinger	543-22014-74	543-22014-74
13	3/8" Coupling	571-19588-86	571-19588-86
14	3/8" OD Shaft	558-22125-88	558-22125-88
15	Celcon Pump Body	502-35947-74	502-35947-74
16	Impeller with Set Screw	525-19891-74	525-19891-74
17	Gasket	744-20259	744-20259
18	Volute Cover	526-15486-74	526-15486-74
19	Volute Cover Thumb Screws	751-04288-81	751-04288-81
20	Agitor® Tube	730-05595-41	730-05595-41
22	Discharge Tube	729-04408	729-04408
23	Tube Connector	730-06043-41	730-06043-41
23A	Flat Washer	754-06091-81	754-06091-81
24	3/8" Ball Valve	738-04471-41	738-04471-41
25	Barbed Hose Fitting for 1/2" ID Hose	730-04938	730-04938
26	Hose Clamp	733-04696-81	733-04696-81
27	Containers		
	1 Gallon Stainless Steel for HV1S, HV1P	607-20536-81	607-20536-81
	1 Gallon Polyethylene for HV1S, HV1P	607-06019	607-06019
	2 Gallon Stainless Steel for HV2S, HV2P	607-05086-83	607-05086-83
	2 Gallon Polyethylene for HV2S, HV2P	607-06020	607-06020
28	By-Pass Assembly	272-23122	272-23122



GAM MOTOR