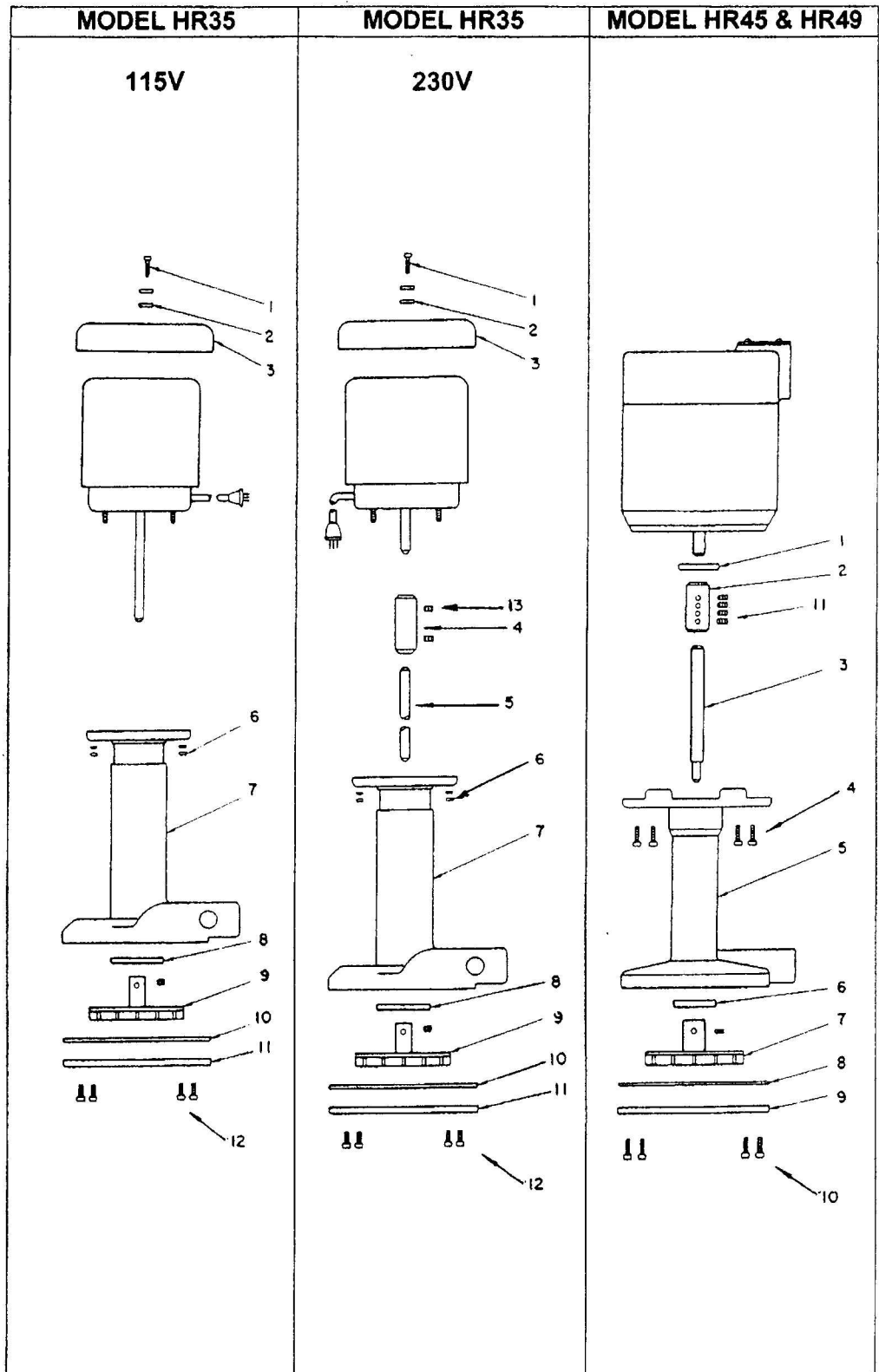


REF	DESCRIPTION	HR35
1	Screw	753-02532-12
2	Washer, Neoprene	744-03514
3	Motor Cover	715-11722
4	Coupling (230V)	571-10945-88
5	Shaft (230V)	557-15339-86
6	Nut	755-02579-12
7	Pump Body	502-24489
8	Washer, Teflon	660-25640
9	Impeller Kit	401-28377
10	Gasket	744-11125
11	Volute Cover	660-11123
12	Bolt	752-02969-12
13	Set Screw (230V)	753-03904

REF	DESCRIPTION	HR45
1	Slinger	744-24282
2	Coupling	572-11588-63
3	Shaft	558-15336-63
4	Bolt w/Lockwasher	752-02971-12
5	Pump Body	503-24599
6	Washer, Teflon	660-25640
7	Impeller Kit	401-28377
8	Gasket	744-11125
9	Volute Cover	660-11123
10	Bolt	752-02969-12
11	Set Screw	753-03904

REF	DESCRIPTION	HR49
1	Slinger	744-11125
2	Coupling	572-11588-63
3	Shaft	558-25906-63
4	Bolt w/Lockwasher	752-02971-12
5	Pump Body	503-25907
6	Washer, Teflon	660-25640
7	Impeller	525-14181-74
8	Gasket	744-11125
9	Volute Cover	660-11123
10	Bolt	752-02969-12
11	Set Screw	753-03904



Exploded Views